

Product Data Sheet

Published date: 13.06.2013



Energy Saving Air Amplifier



Product code: A15000

Meech Air Technology Energy Saving Air Amplifiers provide large airflows whilst only consuming a minimal volume of compressed air.

A tiny amount of compressed air is released through an adjustable circular slot inside the Air Amplifier creating a 'tube' of air. The 'tube' of air then travels towards the front creating areas of low pressure behind and in front that entrains ambient air at a ratio of 12, 20 and 25:1 depending on the size of air amplifier.

Meech Air Amplifiers are available in six sizes in stainless steel or aluminium to suit a wide range of applications.

Features

Benefits

Innovative design	Giving air amplification ranging from 12 to 25:1
No moving parts	Low maintenance
Adjustability	Application specific set-up (no shims). Leading to hundreds of different applications
Locking ring	Holds specific set-up
Lower noise levels	Up to 50dBA noise reduction compared to 'open pipe' systems - Health and Safety compliant
Available in 6 sizes	From 9mm to 100mm air outlet
Available in aluminium or stainless steel	Suitable for a wide range of industries
Lower compressed air usage	Lower running costs and in turn lower energy bills

Product shown in this document may be covered by one or more patents, patents applied for and/or registered designs and/or trade marks. For further info please refer to our Head Office or visit www.meech.com.

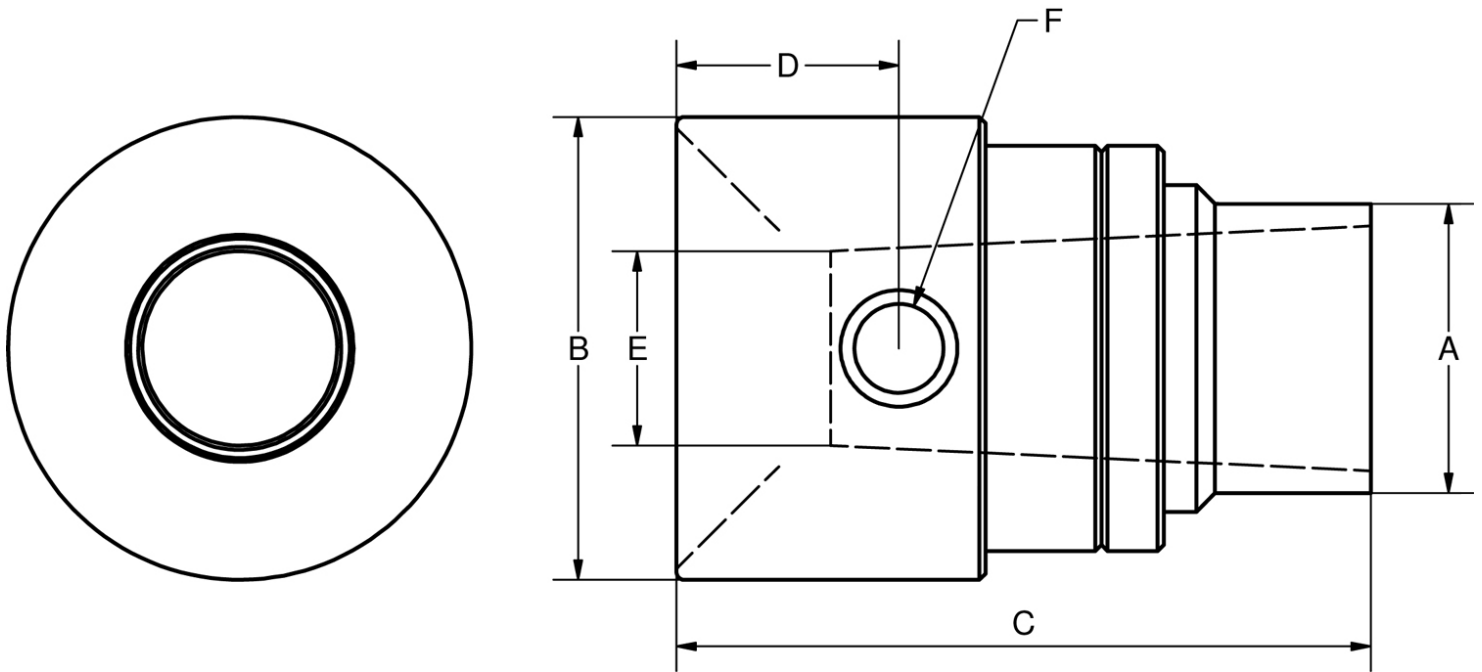
Meech International UK: +44(0)1993 706700 US: +1 330 564 2000 Belgium: +32 8067 0204 email: sales@meech.com
Hungary: +36 27535075 China: +86 400 820 0102 web: www.meech.com



Technical Characteristics

Dimensions

A15004 - Micro Air Amp – 24mm (L) x 14mm (H) x 6mm throat (9mm outlet)
 A15005 - Extra Small – 44mm (L) x 28mm (H) x 12mm throat (18mm outlet)
 A15008 - Small – 73mm (L) x 50mm (H) x 20mm throat (32mm outlet)
 A15006 - Medium – 90mm (L) x 60mm (H) x 25mm throat (37mm outlet)
 A15015 - Large – 84mm (L) x 76mm (H) x 40mm throat (51mm outlet)
 A15030 - Extra Large – 128mm (L) x 127mm (H) x 74mm throat (100mm outlet)



	Micro	XS	S	M	L	EL
A	9	18	32	37	51	100
B	14	28	50	60	76	127
C	24	44	73	90	84	128
D	8	14	25	30	25	38
E	6	12	20	25	40	74
F	M5	M5	1/4 BSP	1/4 BSP	M6	1/2 BSP