

TRADITION AND INNOVATION – 169 YEARS OF KERN

Independent and family-run, KERN is already in its 6th generation and is synonymous with quality and reliability in customer service.

FAST

- 24 hours delivery service – order today, on its way tomorrow
- Sales & service hotline from 8:00 am to 6:00 pm

COMPETENT

- DKD accreditation (DIN EN ISO/IEC 17025)
- QM system (DIN EN ISO 9001:2008)
- Initial verification by the manufacturer (2009/23/ECC)
- Medical (DIN EN ISO 13485 & 93/42/EWG)

RELIABLE

- 2+ years warranty
- Precision in weighing technology for the last 169 years

DIVERSE

- One-stop shopping: from pocket balances through to floor scales – everything from one supplier
- Find the balance you want in no time with the „Balance Quick-Finder“

PALLET TRUCK SCALES



KERN – Professional measuring.

12 Pallet truck scales

KERN Model		Page
VHE-N	This model is the ideal entry into the world of mobile weighing	117
VHB	Transportation and weighing in one operation	118
VFS	Pallet truck scale with large display, integrated printer and rechargeable battery pack	119
VHS	Robust pallet truck scale with integrated printer	120
VHT	Professional pallet truck scale with counting function, integrated printer and removable battery pack	121
VHM	Professional pallet truck scale with removable battery pack and EC type approval [M]	121



Weighing and transportation in one operation

Speed up your warehouse and dispatch processes with the KERN pallet truck scales.

Get the exact weight of a load and at the same time, transport it to a specific location, all in one operation. This shortens commissioning times and also avoids the queues, which can occur when you use fixed floor scales.

These mobile weighing solutions are space-saving and deliver reliable weighing results in any location. So, for example in Goods Inwards and Outwards, you can quickly identify differences between given and actual weights. This uncovers any errors in quantities, saves you time and money and thus ensures a very short amortisation period for the original cost of the scale.

KERN offers a carefully coordinated range from affordable entry level models, via the easy-to-use model with counting function, printer or removable battery pack for uninterrupted functionality, right through to the top level model in verified version.

KERN pallet truck scales are made in robust industrial quality, with high level of protection against dust and water splashes, with high-contrast, easy-to-read displays as well as solid wheels and load rollers with foot brakes - all this helps to give you practical support in your work - day after day.

The KERN three-range pallet truck scale is particularly suitable for a wide range of applications, as it has three levels of accuracy. As the loading increases the scale automatically switches to the next largest range, in terms of both weighing range [Max] as well as readout [d]. In this way, you have a clever combination of a high level of accuracy and the ability to handle heavy loads.

KERN pallet truck scales in robust industrial quality, high level of protection against dust and water splashes, with high-contrast, easy-to-read displays as well as solid wheels and load rollers with foot brakes - all this helps to give you practical support in your work - day after day.

Of course, all KERN pallet truck scales can also be calibrated and delivered with a DKD calibration certificate (optional). This ensures the high level of accuracy of your pallet truck scale.



Your KERN product specialist will be happy to help:

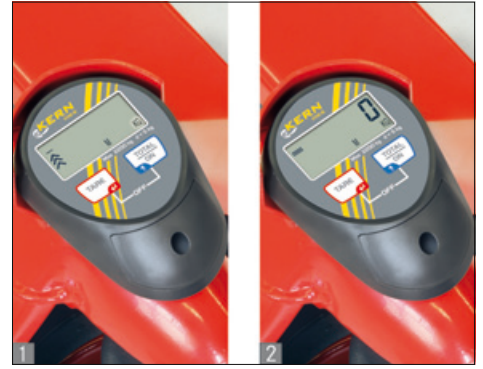
Katharina Queitsch
Product specialist pallet truck scales

Quick-Finder

■ = Standard □ = Option

Read-out	Weighing range	Model	Page	DAYS ready for shipping	M	CAL EXT	MEMORY	PCS	IP	ACCU	BATT
d	Max	KERN			For an explanation of the symbols, see the flap of the envelope						
0,2/0,5/1 kg	0,2/0,5/2 t	VHT 2T0.2T	121	1		■		■	■	■	■
1 kg	2 t	VHB 2T1	118	1		■			■		■
1 kg	2 t	VFS 2T1	119	1		■			■	■	
1 kg	2 t	VHS 2T1	120	1		■			■		■
1 kg	2 t	VHM 2T2M	121	1	■	■			■	■	
5 kg	2,2 t	VHE 2T5N	117	1		■			■		■

Pallet truck scale KERN VHE-N



This model is the ideal entry into the world of mobile weighing

Features

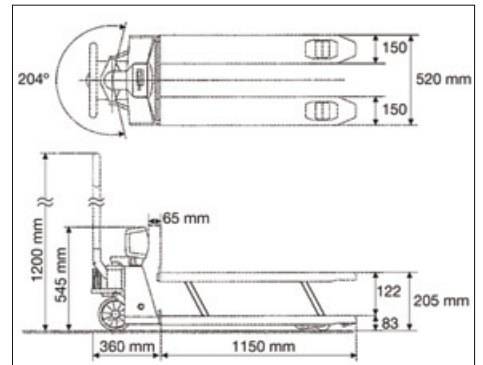
- **Very manoeuvrable** thanks to its compact construction and low weight
- **Particularly robust** because the sensitive components have been relocated from the load fork into the protected housing area. It is therefore also ideal for heavy applications in the production area and on board lorries
- **A Display device IP65.** Protected against dust and water splashes
- **B Load fork IP67.** Load cells are protected against dust and water, temporary use in wet areas is possible
- **Low height of the loading forks** making it easy to work with low pallets
- **Pivot range 204°**
- **Castors:** Solid rubber on aluminium rims
- **Load rollers:** Polyurethane
- **Specially constructed for general checkweighing**, e.g.: plausibility check at goods receiving, establishing shipping weights, avoiding overloads, safety checks

Operation:

- 1 Switch on and then pump up the load fork to the reference height
 - 2 Tare off
 - 3 Release the load fork and position the goods to be weighed on it
 - 4 Weighing: Pump the load fork up to the reference height
- **Ready for use:** Batteries included (2 x 1.5 V AA). AUTO-OFF function to preserve the batteries. Operating time approx. 1 year / approx. 3000 weighings. Charge condition indicator on display

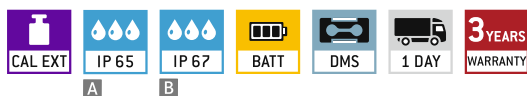
Technical data

- Large LCD display, digit height 18 mm



Note: Dispatch complete on pallet. Please ask for dimensions, gross weight, shipping costs

STANDARD



OPTION



Model	Weighing range [Max] kg	Readout [d] kg	Net weight approx. kg	Permissible ambient temperature °C	Option DKD Calibr. Certificate	
					DKD KERN	
KERN VHE 2T5N	2200	5	60	-10 °C / 40 °C	963-131	

Pallet truck scale KERN VHB



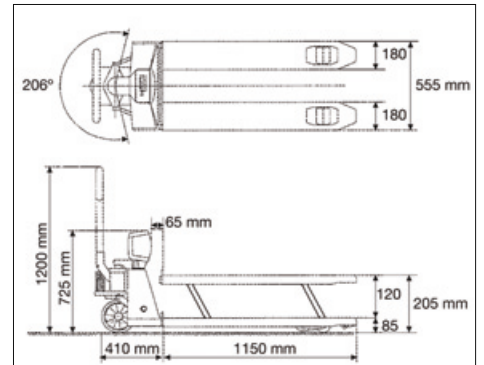
Transportation and weighing, with a memory for a container weight

Features

- **PRE-TARE function** for manual subtraction of a known container weight, e. g. pallet cages, pallets etc., which can be saved
- **1 Display device IP65.** Protected against dust and water splashes
- **2 Load fork IP67.** Load cells are protected against dust and water, temporary use in wet areas is possible
- **Pivot range 206°**
- **Castors:** Solid rubber on aluminium rims
- **3 Load rollers:** Tandem tyres so that you can get over thresholds and obstacles more easily. Material: Polyurethane
- **Ready for use:** Batteries included (4 x 1.5 V AA). AUTO-OFF function to preserve the batteries. Operating time approx. 80 h / 1700 weighings. Charge condition indicator on display

Technical data

- Large LCD display, digit height 28 mm



Note: Dispatch complete on pallet. Please ask for dimensions, gross weight, shipping costs

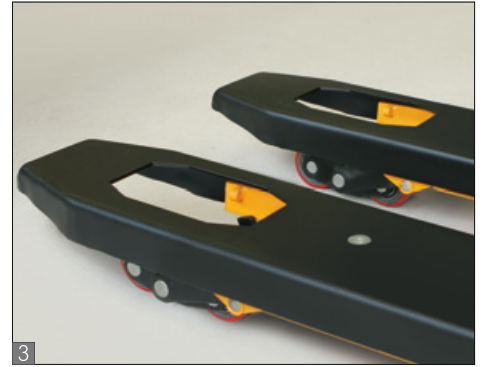
12

STANDARD

OPTION

Model	Weighing range	Readout	Net weight approx.	Permissible ambient temperature °C	Option	
					DKD Calibr. Certificate	
KERN VHB 2T1	[Max] kg 2000	[d] kg 1	kg 120	-10 °C / 40 °C	DKD KERN 963-131	

Pallet truck scale KERN VFS



Pallet truck scale with large display, integrated printer and rechargeable battery pack

Features

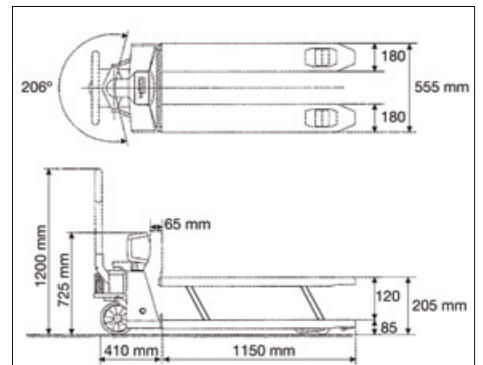
- **PRE-TARE function** for manual subtraction of a known container weight, e. g. pallet cages, pallets etc., which can be saved
- **1 Display device IP65:** Protected against dust and water splashes
- **2 Load fork IP67.** Load cells are protected against dust and water, temporary use in wet areas is possible
- **Pivot range 180°**
- **Castors:** Solid rubber on aluminium rims
- **Load rollers:** Tandem tyres so that you can get over thresholds and obstacles more easily. Material: Polyurethane
- **Rechargeable battery pack internal,** standard, operating time approx. 60 h, charging time approx. 12 h
- **1 Integrated thermal printer,** standard. Printout with date and time. Width of paper 58 mm, 20 characters/line, print-out speed up to 45 mm/sec, temperature range 0 °C / +40 °C

Technical data

- Large backlit LCDdisplay, digit height 52 mm

Accessories

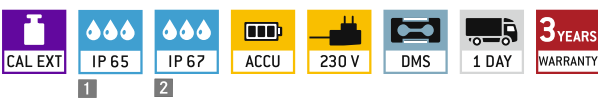
- **Thermal receipt rolls** (10 pieces), width 56 mm, Ø 51 mm, KERN RFS-A10



Note: As standard, the unit is dispatched without the shaft and display fitted. The shaft and display can be fitted at our factory for an additional cost, delivery + 2 working days, KERN VFS-M01
Please state when ordering

1 Dispatch complete on pallet. Please ask for dimensions, gross weight, shipping costs

STANDARD



OPTION



Model	Weighing range	Readout	Net weight approx.	Permissible ambient temperature °C	Option	
					DKD Calibr. Certificate	DKD KERN
KERN VFS 2T1	[Max] kg 2000	[d] kg 1	kg 126	-10 °C / 40 °C	963-131	

Pallet truck scale KERN VHS



Versatile pallet truck scale with large pivot range and printer

Features

- **PRE-TARE function** for manual subtraction of a known container weight, which can be saved
- **1 Display device IP65.** Protected against dust and water splashes
- **2 Load fork IP67.** Load cells are protected against dust and water, temporary use in wet areas is possible
- **Pivot range 206°**
- **Castors:** Solid rubber on aluminium rims
- **Load rollers:** Tandem tyres so that you can get over thresholds and obstacles more easily. Material: Polyurethane
- **4 Integrated thermal printer,** standard. Width of paper 58 mm, 20 characters/line, print-out speed up to 45 mm/sec, temperature range 0 °C / +40 °C
- **Ready for use:** Batteries included (4 x 1.5 V AA). AUTO-OFF function to preserve the batteries. Operating time approx. 80 h / 1700 weighings. Charge condition indicator on display

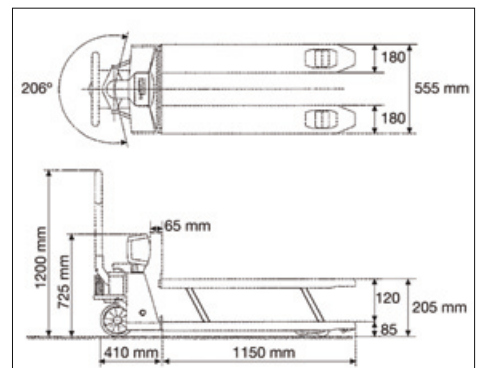
Technical data

- Large LCD display, digit height 28 mm

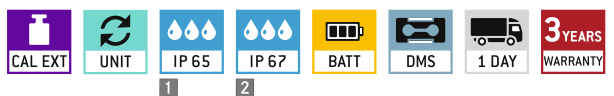
Accessories

- **Thermal receipt rolls** (10 pieces), KERN VHS-A10

Note: Dispatch complete on pallet. Please ask for dimensions, gross weight, shipping costs



STANDARD



OPTION



Model	Weighing range	Readout	Net weight approx.	Permissible ambient temperature °C	Option	
					DKD Calibr. Certificate	
KERN VHS 2T1	[Max] kg 2000	[d] kg 1	kg 125	-10 °C / 40 °C	DKD KERN 963-131	

Pallet truck scales KERN VHT · VHM



Illustration: KERN VHM

Pallet truck scale with removable battery, alternatively with piece-counting function (VHT) or EC type approval (VHM)

Features

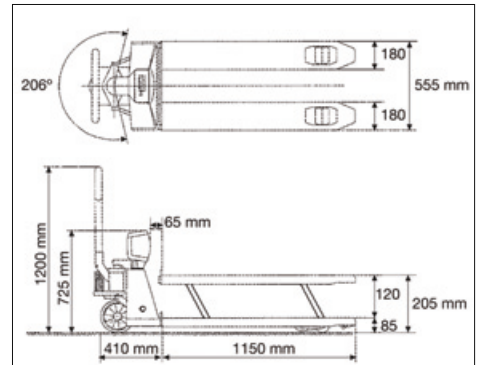
- **PRE-TARE function** for manual subtraction of a known container weight
- **1 Display device IP65.** Protected against dust and water splashes
- **2 Load fork IP67.** Load cells are protected against dust and water, temporary use in wet areas is possible
- **Pivot range 206°**
- **Castors:** Solid rubber on aluminium rims
- **3 Load rollers:** Tandem tyres so that you can get over thresholds and obstacles more easily. Material: Polyurethane
- **4 Rechargeable battery pack internal,** standard, with practical handle for quick replacement, operating time up to 35 h, charging time approx. 6 h, can be reordered, KERN VHT-A01

KERN VHT

- **Piece-counting function:** Particularly practical, when large quantities of a weighed item must be quickly counted into and out of a container, see page 79
 - **Integrated thermal printer,** standard. Printed with date and time. Width of paper 58 mm, 20 characters/line, print-out speed up to 45 mm/sec, temperature range 0 °C / +40 °C
- Accessories: **Thermal receipt rolls** (10 pieces), KERN VHS-A10

KERN VHM, see larger picture

- **Verified pallet truck scale,** so can be used in commercial trade situations. Please observe legal conditions and relevant recommendations for use



Technical data

- Large LCD display, digit height 18 mm
- Net weight approx. 125 kg
- Permissible ambient temperature -10 °C / 40 °C

Note: Dispatch complete on pallet. Please ask for dimensions, gross weight, shipping costs

STANDARD



OPTION



FACTORY



Model	Weighing range [Max] kg	Readout [d] kg	Verific. value [e] g	Minimum load [Min] kg	Min. piece weight [PW min] g/piece	Options				
						Verification		DKD Calibr. Certificate		
						M	KERN	DKD	KERN	
Triple-range balance (T=Triple) switches automatically to the next largest weighing range [Max.] and readout [d].										
VHT 2T0.2T *	200 500 2200	200 500 1000	-	-	500	-	-	-	-	963-131
Note: For applications that require verification, please order verification at the same time, initial verification at a later date is not possible. Verification at the factory, we need to know the full address of the location of use.										
VHM 2T2M	2000	2000	2000	40	-	965-231				963-131

! * ONLY WHILE STOCKS LAST