

Product Data Sheet

Published date: 28.11.2013



983v2 Static Locator



Product code: 983v2

The Model 983v2 Static Locator provides accurate measurement of electrostatic charges. Its design enables fast response, low drift and ease of operation.

The 983v2 can operate in “Continuous” or “Peak Hold” mode to record changes in the level of charge or the highest charge detected respectively. It is suitable for use by production, maintenance, inspection and quality engineers and on any material where static charge may be an issue.

Features

Benefits

Compact design	Lightweight, pocket sized device
Large high contrast LCD screen with digital display	Easy to read in different lighting conditions
Continuous and Peak Hold modes	Can measure fluctuation in charge levels and/or the highest level detected
In-built distance meter	Clear indication of correct operating range for consistent, accurate readings
Robust plastic housing	High durability
Instrument case	Safe, clean storage when not in use

Technical Characteristics

Product shown in this document may be covered by one or more patents, patents applied for and/or registered designs and/or trade marks. For further info please refer to our Head Office or visit www.meech.com.

Meech International UK: +44(0)1993 706700 US: +1 330 564 2000 Belgium: +32 8067 0204 email: sales@meech.com
Hungary: +36 27535075 China: +86 400 820 0102 web: www.meech.com

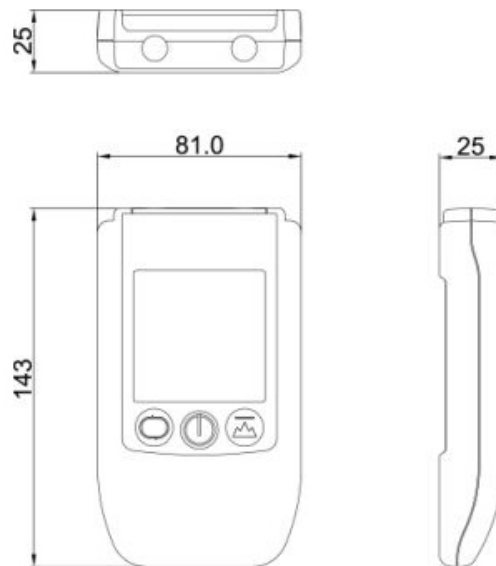


Product Data Sheet

Published date: 28.11.2013



Dimensions	145mm x 80mm x 25mm (H x W x D)
Weight	200g
Construction	Moulded plastic case, integral battery compartment, external earth connection
Measurement range	-200kV to 200kV at a distance of 150mm
Accuracy	+/-5%
Battery	2 x AA alkaline
Battery life	Approximately 10 hours of continuous use



Product shown in this document may be covered by one or more patents, patents applied for and/or registered designs and/or trade marks. For further info please refer to our Head Office or visit www.meech.com.

Meech International UK: +44(0)1993 706700 US: +1 330 564 2000 Belgium: +32 8067 0204 email: sales@meech.com
Hungary: +36 27535075 China: +86 400 820 0102 web: www.meech.com

